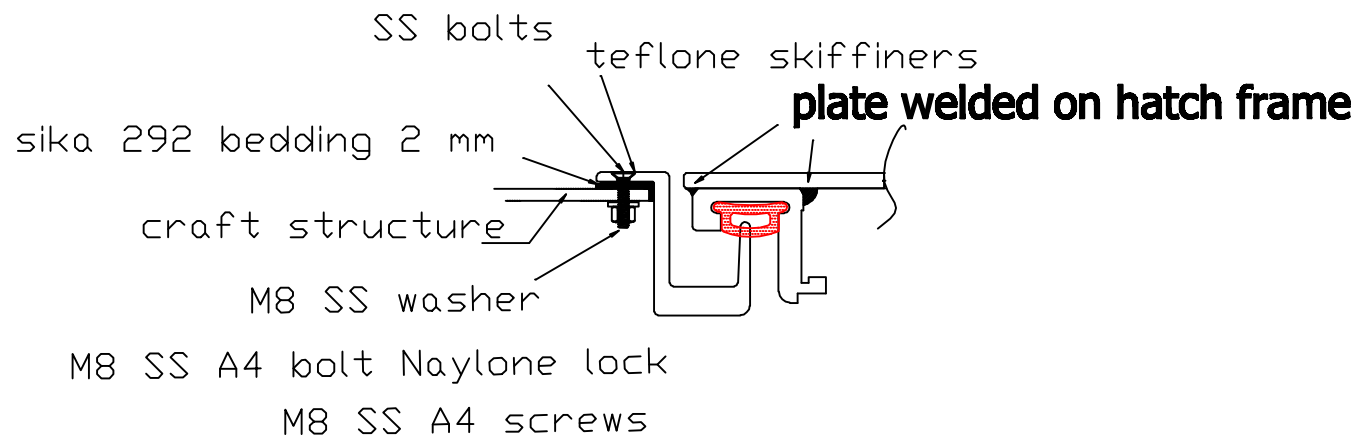
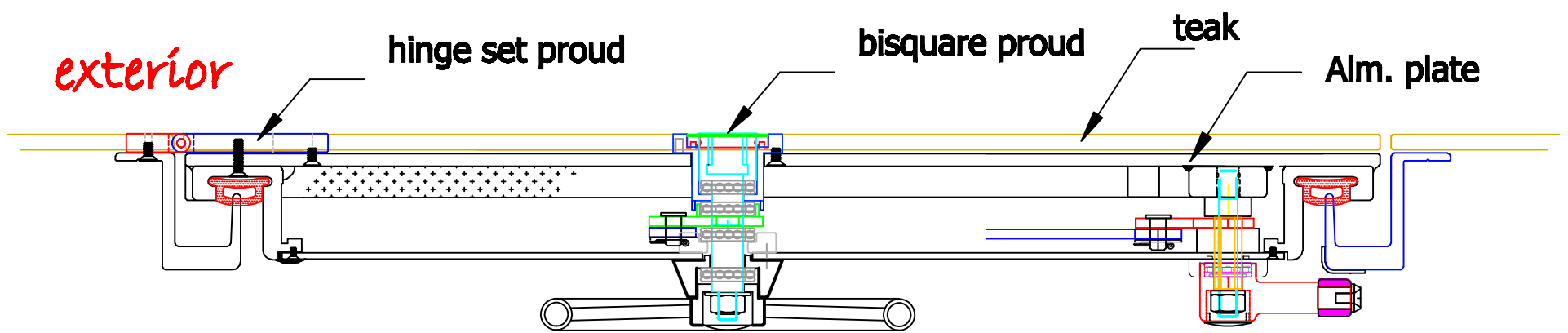


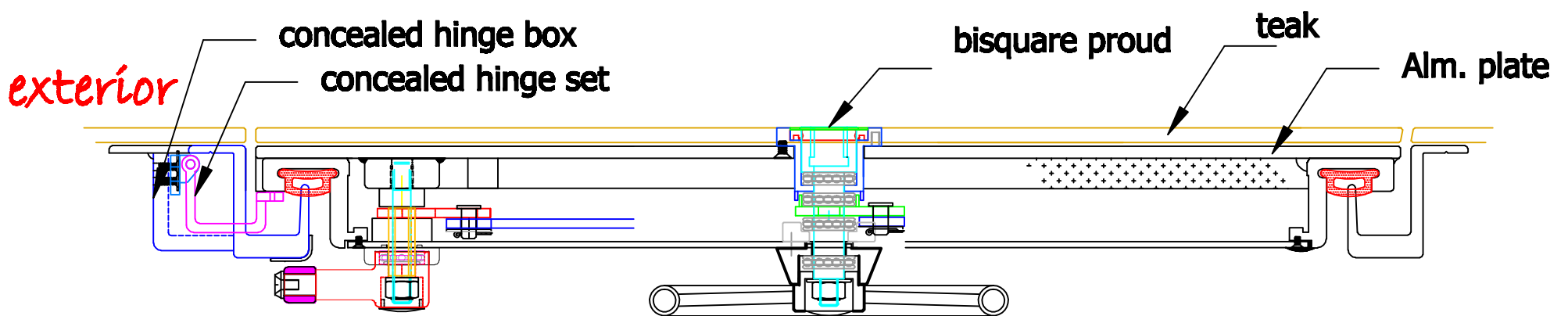
# BULK HEAD ATTACHMENT



A- WT FLUSH HATCH for TEAK LAYING with PROUD HINGE and PROUD Bisquare



B- WT FLUSH HATCH for TEAK LAYING with CONCEALED HINGE and PROUD Bisquare



C- WT FLUSH HATCH with FLATTENED HINGE and FLAT Bisquare

